

ATX

CORE SECURITY



EBRAX
ATM SECURITY LLC



+54 911 6743 6697

info@ebrax.net

www.ebrax.net



CORE SECURITY

Intro

ATX Core Security

ATX Core Security protects the ATM with in-depth defense techniques, without the need to mediate with the Windows operating system. Our software operates using Intel technology, to detect and protect against attacks when the ATM is on and off in both cases, our software reacts to security incidents and protects the cashier Automatic unwanted attacks.

It has functions that allow detecting attacks as blackbox even with the ATM turned off.

In addition, the ATX can be configured to operate with other correlation modules such as correlation and security centers.

We are also the first solution on the market that supports multi-brightness bios change of all ATM models



+54 911 6743 6697



info@ebrax.net

www.ebrax.net

ATX

CORE SECURITY

Purpose of the product

ATX Core Security

The mission of the Solution is the advanced protection of all known attacks and for knowing in a multi vendor way for all ATMs with support from Intel or without Intel,

ATX core security has detection modules and early warning of advanced attacks, in which we can detect attack operations of:

- Network and USB blackbox
- Endoscope
- Disk replacement
- Cable disconnection
- Voltage changes
- Sending malicious XFS messages to the Dispenser
- Aggregate ATM services to the actual Display XFS services
- ATM remote clone disk



+54 911 6743 6697



Info@ebrax.net

www.ebrax.net



Why choose ATX Core Security

ATX Core Security has some of the most recognized professionals in the market, who have developed the most efficient security solution in software and hardware; in addition to the need of the market to have security solutions that really allow blocking security incidents and that do not happen again.

Our solution allows the integration of alerts and sensors with third-party solutions to offer a total integration facility.



+54 911 6743 6697



info@ebrax.net

www.ebrax.net

ATX

CORE SECURITY

General features:

ATX Core Security

The next functions has a multivendor support

- ▶ Remote BIOS change
- ▶ Secure Communication
- ▶ Anti-blackbox USB
- ▶ Anti-blackbox Red
- ▶ Block XFS communications to the Dispenser
- ▶ Alert if any Network cable is been disconnected

- ▶ Connection to different APIs to integrate the software with APTRA visión, ELK, Splunk and many others
- ▶ Protect the Security of the ATM dispenser
- ▶ Protect against Disk Change Attacks
- ▶ Alert and protect against any hardware changes
- ▶ Implement Intel AMT security features
- ▶ Configuration of rules for BIOS management
- ▶ Remote solution for restore Windows Image
- ▶ Sensor integration solutions for ATX
- ▶ Web graphic user interface
- ▶ Multiple Databases support and the solution can run in physical and cloud environments
- ▶ Remote image cloning and deployment

Technology encryption between client and server

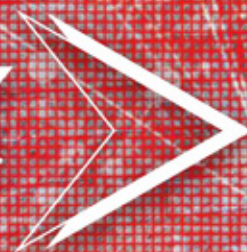
ATX Core Security



ATM



EBRAX
ATM SECURITY LLC



Hardware protection

ATX Core Security

ATX
CORE SECURITY



 +54 911 6743 6697

 info@ebrax.net

www.ebrax.net



Modules

ATX Core Security

Based in our experience we have extend the features of the products to provide modules for different type of protections for our clients

Advanced image Version control: For Windows 10 images and administration of versions and patches, theATX software module can help any bank in the security, control and roll out of new operation system versions and patches



+54 911 6743 6697



Info@ebrax.net

www.ebrax.net

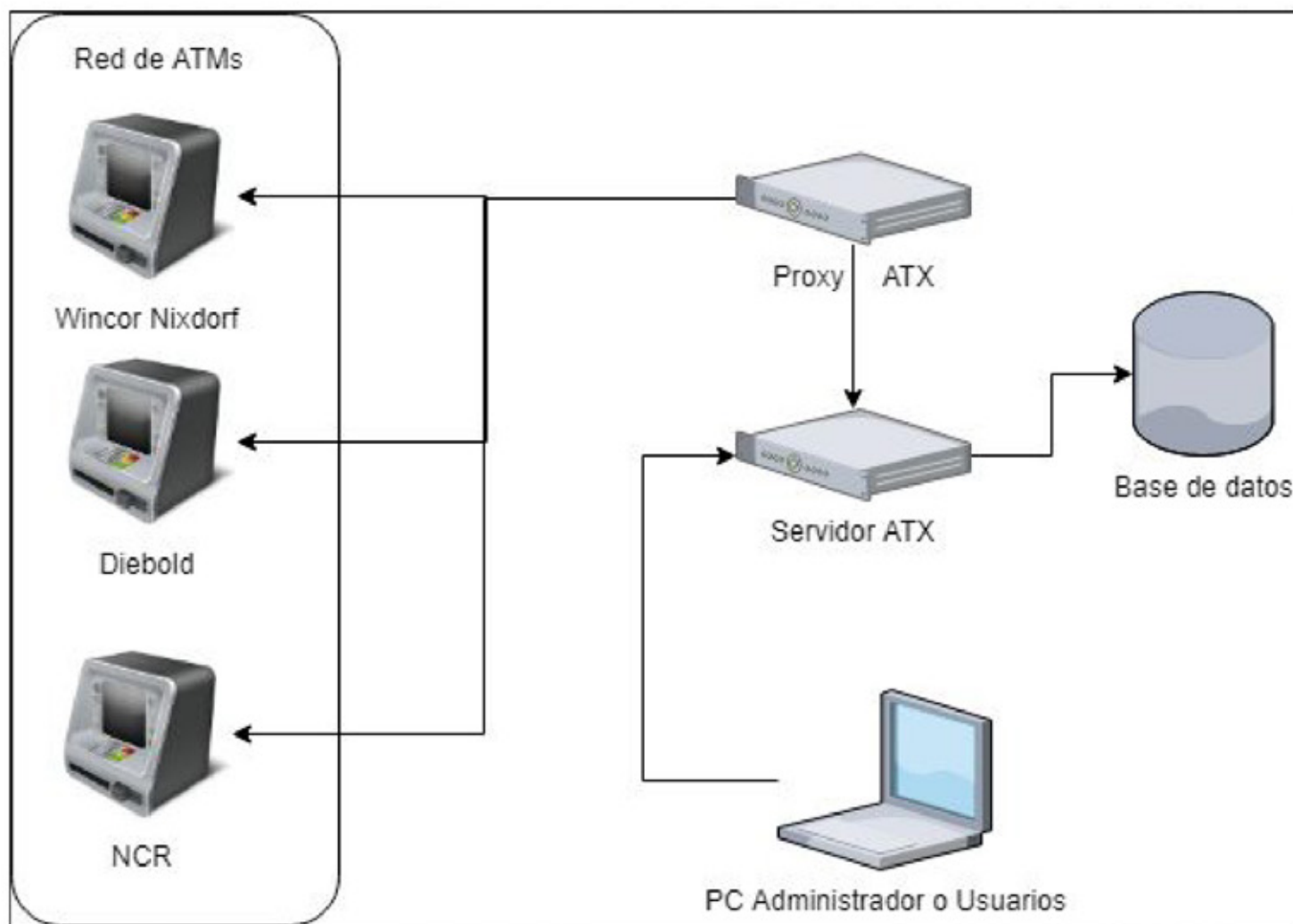
Features of the software module:

- ATX software module is an ATM recovery system from an encrypted partition or container, "local" on the ATX equipment.
- Agent in the ATM that allows the secure synchronization (via an encrypted channel), the "local" container in the ATX.
- This in order to keep the "Master" located in the "local" container updated, with this we can reinstall, update (incrementally) quickly, simply and easily.
- Functionality to start the "Reinstallation" process remotely, or even schedule an automatic reinstallation according to a calendar ATX software, supports the "ATM Recovery" functionality, which allows:
 - 1) Re- install before any operating system damage even with windows blue screen
 - 2) Incrementally update the local version of the image container

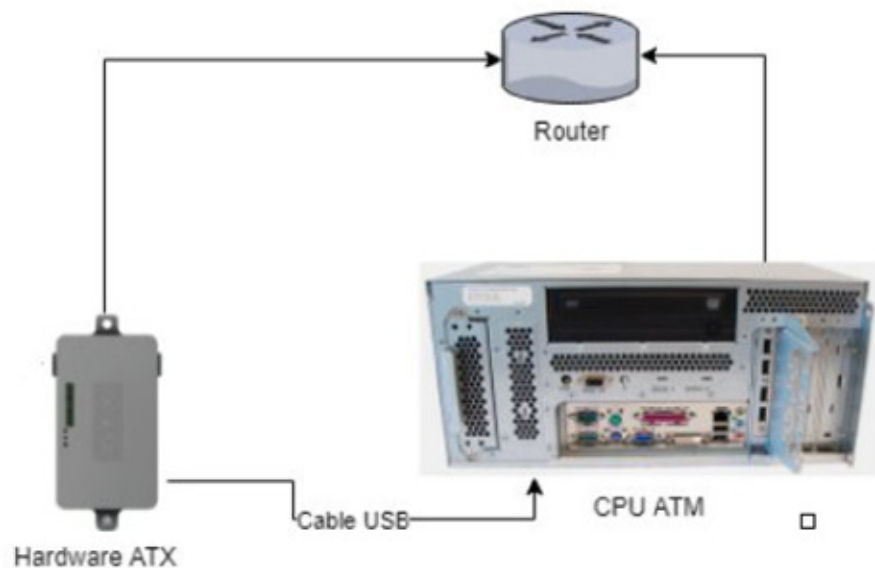
ATX Advanced Installer software

- Through the ATM's accelerated ATX installer, the process of installation and logical implementation of ATMs (Automated Teller Machine) is simplified and improved.
- Achieving objectives such as: Speed: the Accelerated installer allows the configuration of an ATM to be achieved in record time, which can take between 15 to 30 minutes, depending on the ATM model and network speed.
- Logical security: The accelerated installer is implemented in an ATX-type device Encryption, which prevents unauthorized personnel from having access to the operating system (image with all bank settings) of the ATM, as well as the software implemented in the ATM.
- Connection Security: the accelerated installer is only accepted at ATMs authorized by the bank, through an administration console that does not allow an ATM to be simulated using a foreign device.
- Physical security: if the device is stolen, the information it contains cannot be extracted when it is fully encrypted. Assertiveness: all implementations will be consistent and human error for individual configurations is reduced.

ATX infraestructura in ATM network



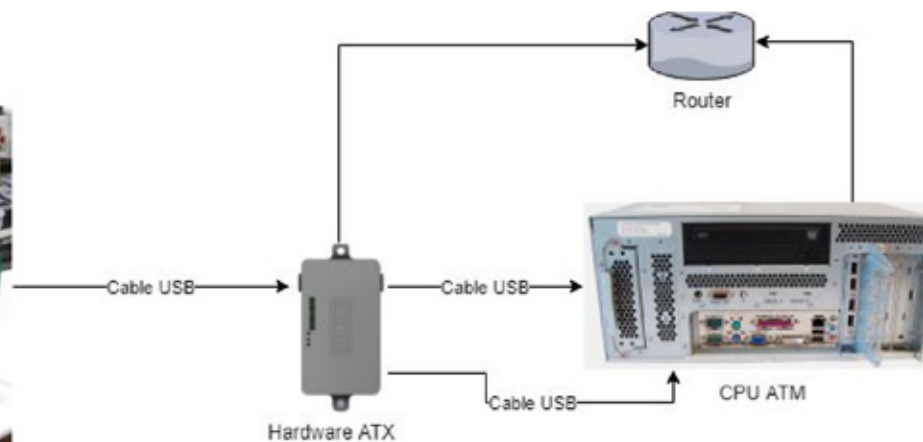
Basic installation



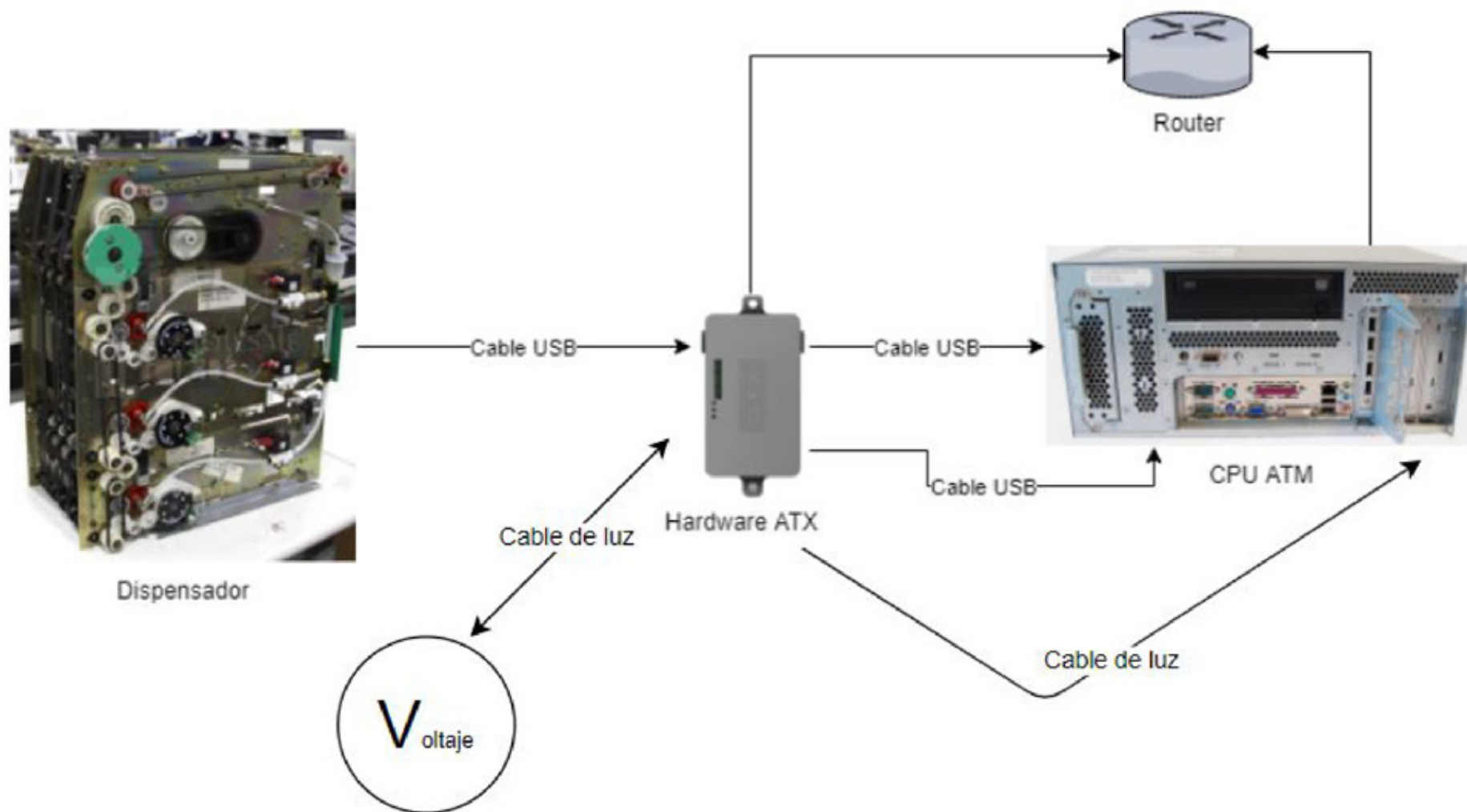
Advanced Installation



Dispensador



Full ATX Installation without Intel AMT



ATX software Advanced installer:

Step 5:
Reconfigure the boot, restart the boot,
and reboot the production-ready ATM.



Step 2:
Reboot from ATX.

Step 1:
Send reinstallation
communication.



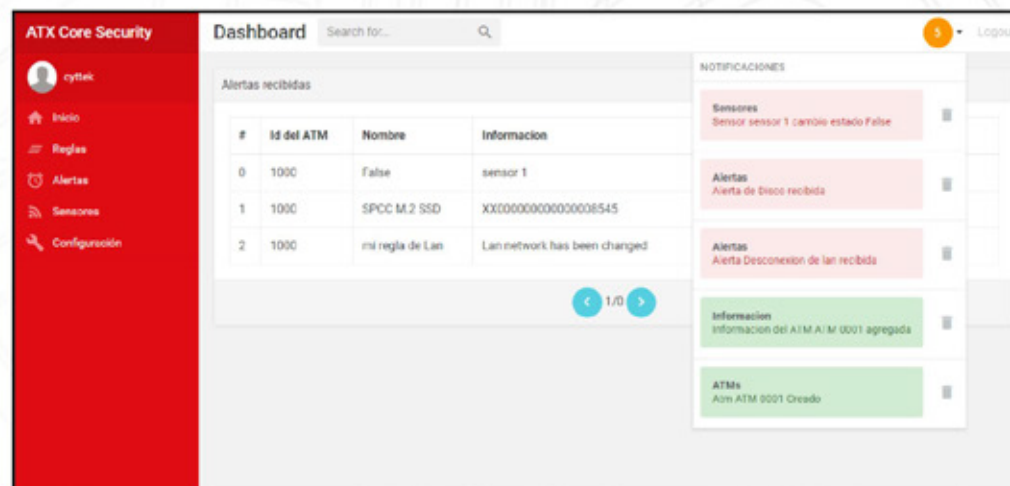
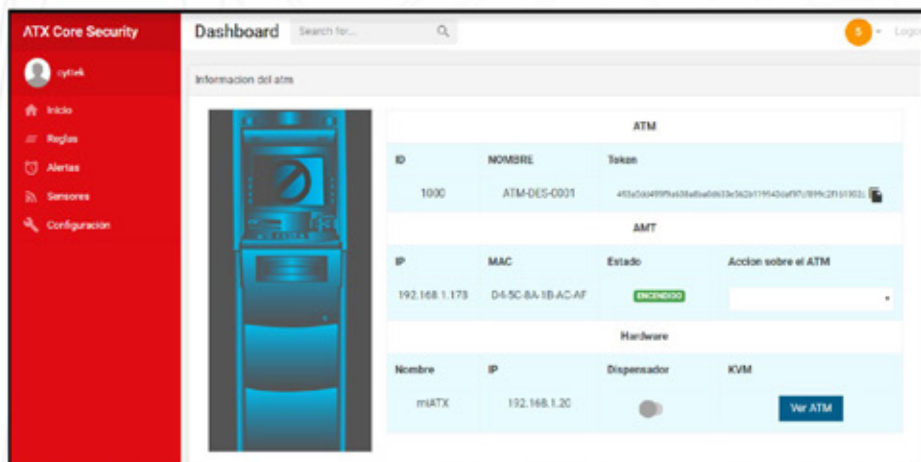
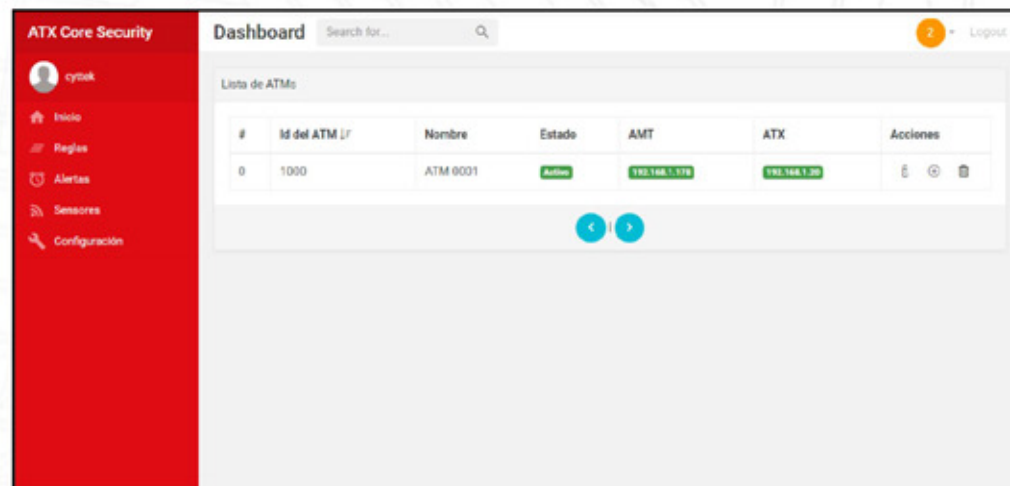
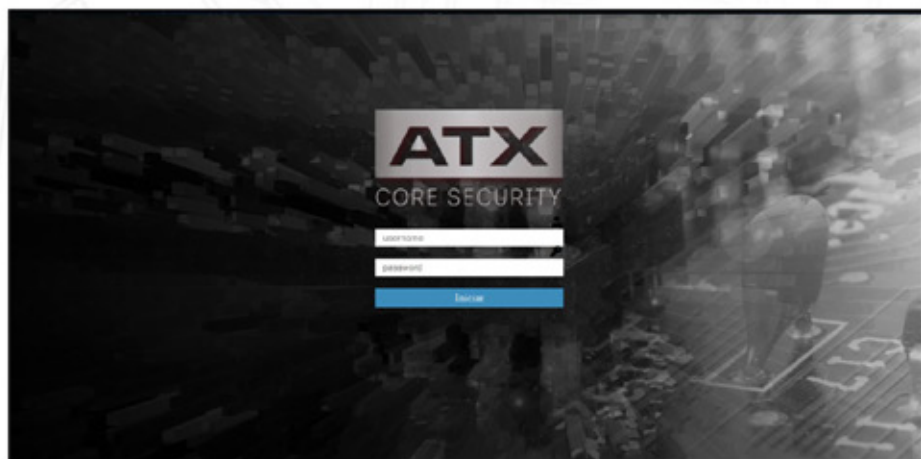
Step 4:
Install the windows bitwise
image with all the settings.

Step 3:
Load ATX S.O Image

ATX GUI



ATX Graphic interface for the main hardware and modules:



Supported functions:

The following list of functions are supported and are 100% operational for any ATM brand that the bank has in production or in the laboratory, our team does not impact any of the following operating functions:

- Dispensed Events
- Replacement Events
 - Money Archiving Functions
 - Changing drawers
 - Any money replacement operation
- Sending firmware patches
- Dispensing Functions
 - Money extraction tests
- Cash retract functions
- Support all XFS operations of the dispenser
- Supervisor mode test queries
- Software updates from S.O.
 - XFS software patches
- Supervisor mode test
 - Sensor test
 - Dispenser Status Review
- Remote Bios Control over any ATM BIOS version (even encrypted bios)

Other supported functions

The ATX Hardware-based solution has support to be able to receive physical events through dry contacts. We support up to 3 solutions connected among them, some typical ones that we usually connect in production are:

- Anti-skimmers
- Fascia opening sensors
- Alarm panel or multichannel communication



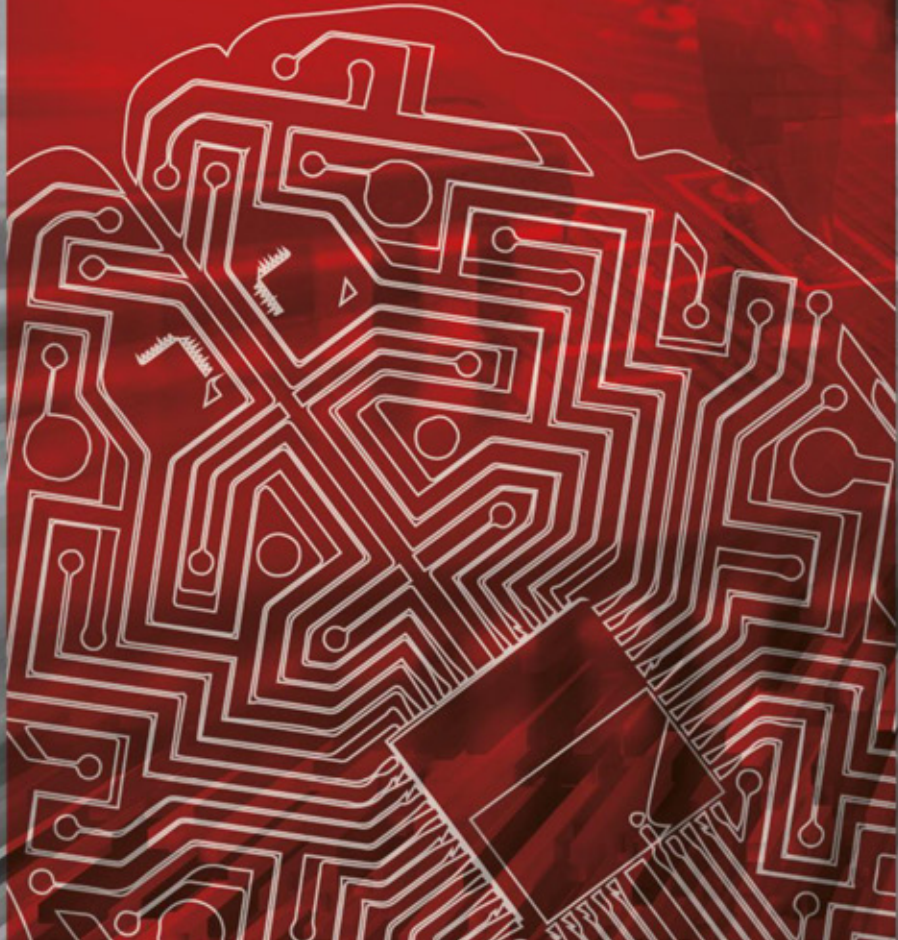
Advantages of acquiring the ATX solution for your ATM network

There are many advantages from a technical and business point of view because any bank should have a solution such as ATX included in its ATM network, here we will name some:

- Reduction of physical visits to ATMs
 - Technical support visits to ATMs can be reduced by 90% to 98%.
 - Substantial savings in the costs of technical visits.
 - Increase the availability of the network and ATMs that have problems with any type of software.
- Increase the security and visibility of the ATM Network
 - It is the only solution on the market that allows remote control of the dispenser as a second factor of authentication.
 - You do not depend on any solution from the ATM manufacturer.
 - Increase the security of your money, the visibility of network problems and the management of incidents automatically and remotely.
- Multi-vendor solution for all models and brands of ATMs on the market.

ATX

CORE SECURITY



EBRAX
ATM SECURITY LLC



+54 911 6743 6697



Info@ebrax.net

www.ebrax.net